

PERGOFAST

MODULAR SYSTEM FOR PERGOLAS AND FURNITURE

- Enables the construction of pergolas and furniture in any shape or size
- Only square-section timber components are required, with no machining needed. Available dimensions: 90 x 90 mm (4" x 4"), 120 x 120 mm, 140 x 140 mm (6" x 6")
- Galvanising and black RAL9005FT paint ensure optimal durability and visual appeal. The included screws are colour-matched



VIDEO

SERVICE CLASS

SC3

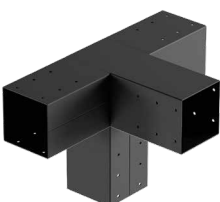
MATERIAL

S235
THERMO
DUST

PERGO3WAY

CODE	sleeve [mm] [in]	arm length [mm] [in]	thickness [mm] [in]	holes [n. x mm] [n. x in]	pcs
PERGO3W090	92 x 92 3 5/8 x 3 5/8	140 5 1/2	2,0 0.079	24 x Ø6,5 24 x Ø0.26	4
PERGO3W120	121 x 121 4 3/4 x 4 3/4	190 7 1/2	2,0 0.079	36 x Ø6,5 36 x Ø0.26	4
PERGO3W140	143 x 143 5 5/8 x 5 5/8	250 10	2,0 0.079	48 x Ø6,5 48 x Ø0.26	4

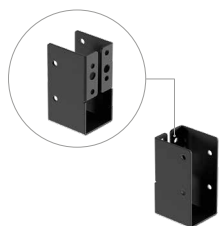
Painted timber screws included.



PERGO4WAY

CODE	sleeve [mm] [in]	arm length [mm] [in]	thickness [mm] [in]	holes [n. x mm] [n. x in]	pcs
PERGO4W090	92 x 92 3 5/8 x 3 5/8	140 5 1/2	2,0 0.079	32 x Ø6,5 32 x Ø0.26	2
PERGO4W120	121 x 121 4 3/4 x 4 3/4	190 7 1/2	2,0 0.079	48 x Ø6,5 48 x Ø0.26	2
PERGO4W140	143 x 143 5 5/8 x 5 5/8	250 10	2,0 0.079	64 x Ø6,5 64 x Ø0.26	2

Painted timber screws included.



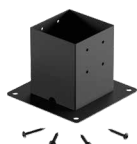
PERGOSHOE

CODE	base [mm] [in]	height [mm] [in]	thickness [mm] [in]	holes [n. x mm] [n. x in]	pcs
PERGOSHOE4090	40 1 9/16	90 3 1/2	2,0 0.079	8 x Ø6,5 8 x Ø0.26	16

Painted timber screws included.



LIFT25


















PERGOPOST

CODE	sleeve [mm] [in]	height [mm] [in]	thickness [mm] [in]	bottom plate [mm] [in]	base holes [n. x mm] [n. x in]	sleeve holes [n. x mm] [n. x in]	pcs
PERGOPOST090B	92 x 92 3 5/8 x 3 5/8	150 6	2,0 0.079	150 x 150 6 x 6	4 x Ø11,5 4 x Ø0.46	8 x Ø6,5 8 x Ø0.26	1
PERGOPOST120B	121 x 121 4 3/4 x 4 3/4	150 6	2,0 0.079	200 x 200 8 x 8	4 x Ø11,5 4 x Ø0.46	8 x Ø6,5 8 x Ø0.26	1
PERGOPOST140B	143 x 143 5 5/8 x 5 5/8	150 6	2,0 0.079	200 x 200 8 x 8	4 x Ø11,5 4 x Ø0.46	8 x Ø6,5 8 x Ø0.26	1
LIFT25	60 x 60 2 3/8 x 2 3/8	25 1	3,0 0.119	-	-	-	1

LIFT not included in the box.

Painted timber screws included.

SINGLE PERGOLA WITH SUNSHADE

option 1	option 2	option 3
 90x90 mm (4"x4")	 120x120 mm (4 3/4"x4 3/4")	 140x140 mm (6"x6")
 4x PERGOPOST090B	 4x PERGOPOST120B	 4x PERGOPOST140B
 4x PERGO3W090	 4x PERGO3W120	 4x PERGO3W140
 16x PERGOSHOE4090 ^(*)	 16x PERGOSHOE4090 ^(*)	 16x PERGOSHOE4090 ^(*)
 4x LIFT25	 4x LIFT25	 4x LIFT25



















^(*)The indicated quantity refers to the number of rafters positioned on the roof or wall.
 Suggested lengths for timber components in a 300 cm x 300 cm pergola:

- 4 columns L= 250 cm
- 4 beams L= 300 cm
- 8 sunshades (40 mm x 90 mm) L = 298 cm

the proposed options vary depending on the size of the timber elements



DOUBLE PERGOLA WITH SUNSHADE

option 1	option 2	option 3
 90x90 mm (4"x4")	 120x120 mm (4 3/4"x4 3/4")	 140x140 mm (6"x6")
 6x PERGOPOST090B	 6x PERGOPOST120B	 6x PERGOPOST140B
 4x PERGO3W090	 4x PERGO3W120	 4x PERGO3W140
 2x PERGO4W090	 2x PERGO4W120	 2x PERGO4W140
 32x PERGOSHOE4090 ^(*)	 32x PERGOSHOE4090 ^(*)	 32x PERGOSHOE4090 ^(*)
 6x LIFT25	 6x LIFT25	 6x LIFT25
















^(*)The indicated quantity refers to the number of rafters positioned on the roof or wall in reference to one span.
 Suggested lengths for timber components in 300 cm x 600 cm pergola:

- 6 columns L= 250 cm
- 7 beams L= 300 cm
- 16 sunshades (40 mm x 90 mm) L = 298 cm

the proposed options vary depending on the size of the timber elements



SINGLE WALL-MOUNTED PERGOLA WITH SUNSHADE



















option 1	option 2	option 3
 90x90 mm (4"x4")	 120x120 mm (4 3/4"x4 3/4")	 140x140 mm (6"x6")
 4x PERGOPOST090B	 4x PERGOPOST120B	 4x PERGOPOST140B
 2x PERGO3W090	 2x PERGO3W120	 2x PERGO3W140
 16x PERGOSHOE4090(*)	 16x PERGOSHOE4090(*)	 16x PERGOSHOE4090(*)
 2x LIFT25	 2x LIFT25	 2x LIFT25

(*)The indicated quantity refers to the number of rafters positioned on the roof or wall.
Suggested lengths for timber components in a 300 cm x 300 cm pergola:

- 2 columns L = 250 cm
- 3 beams L = 300 cm
- 8 sunshades (40 mm x 90 mm) L = 298 cm



DOUBLE WALL-MOUNTED PERGOLA WITH SUNSHADE

option 1	option 2	option 3
 90x90 mm (4"x4")	 120x120 mm (4 3/4"x4 3/4")	 140x140 mm (6"x6")
 6x PERGOPOST090B	 6x PERGOPOST120B	 6x PERGOPOST140B
 2x PERGO3W090	 2x PERGO3W120	 2x PERGO3W140
 1x PERGO4W090	 1x PERGO4W120	 1x PERGO4W140
 32x PERGOSHOE4090(*)	 32x PERGOSHOE4090(*)	 32x PERGOSHOE4090(*)
 3x LIFT25	 3x LIFT25	 3x LIFT25


(*)The indicated quantity refers to the number of rafters positioned on the roof or wall in reference to one span.

Suggested lengths for timber components in 300 cm x 600 cm pergola:

- 3 columns L = 250 cm
- 5 beams L = 300 cm
- 16 sunshades (40 mm x 90 mm) L = 298 cm




BENCH WITH BACKREST

	 2x PERGO3W090	 2x PERGO4W090	 12x PERGOSHOE4090
---	--	--	--

- Suggested lengths for timber components 200 cm x 50 cm
- 4 vertical elements L = 40 cm
 - 2 longitudinal members (seat) L=200 cm and L=181,2 cm
 - 2 crosspieces (seat) L = 40 cm
 - 2 crosspieces (backrest) L = 40 cm
 - 6 longitudinal elements (40 mm x 90 mm) L = 180 cm






BENCH

	 4x PERGO3W090	 8x PERGOSHOE4090
---	--	---

- Suggested lengths for timber components 200 cm x 50 cm
- 4 vertical elements L = 40 cm
 - 2 longitudinal members L = 200 cm
 - 2 crosspieces L = 30 cm
 - 4 longitudinal elements (40 mm x 90 mm) L = 198 cm



TABLE

	 4x PERGO3W090	 16x PERGOSHOE4090
---	--	--

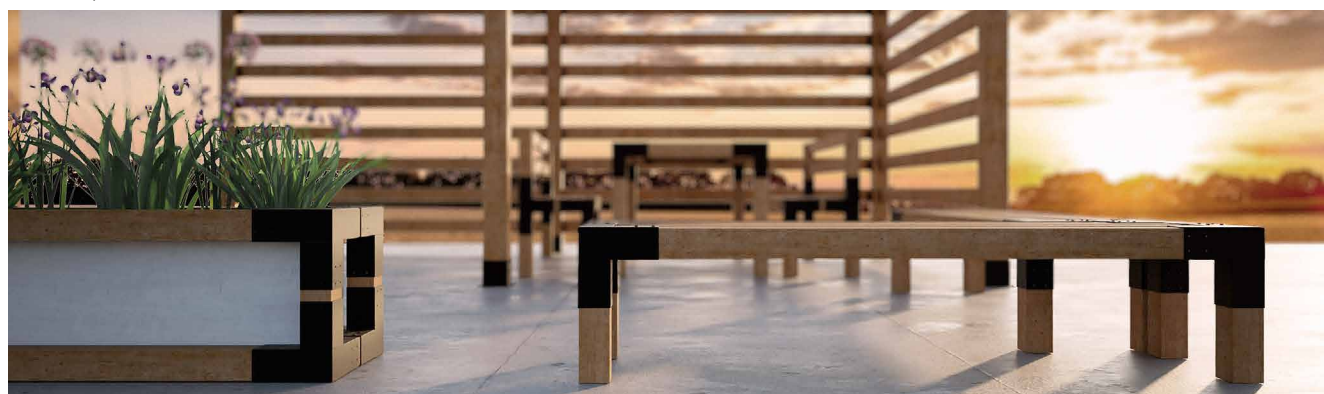
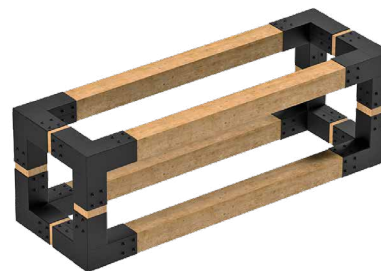
- Suggested lengths for timber components 200 cm x 100 cm:
- 4 vertical elements L = 80 cm
 - 2 longitudinal members L = 200 cm
 - 8 longitudinal elements (40 mm x 90 mm) L = 198 cm



STORAGE BOX

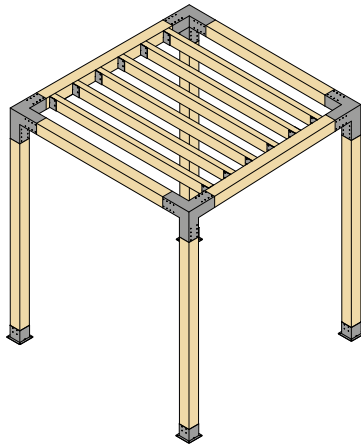
	 8x PERGO3W090
---	--

- Suggested lengths for timber components 200 cm x 50 cm:
- 4 vertical elements L = 50 cm
 - 4 longitudinal members L = 200 cm
 - 4 crosspieces L = 30 cm

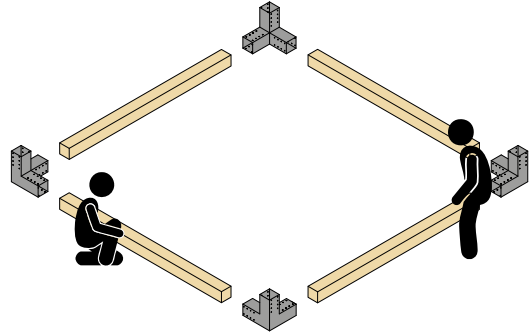


ASSEMBLY

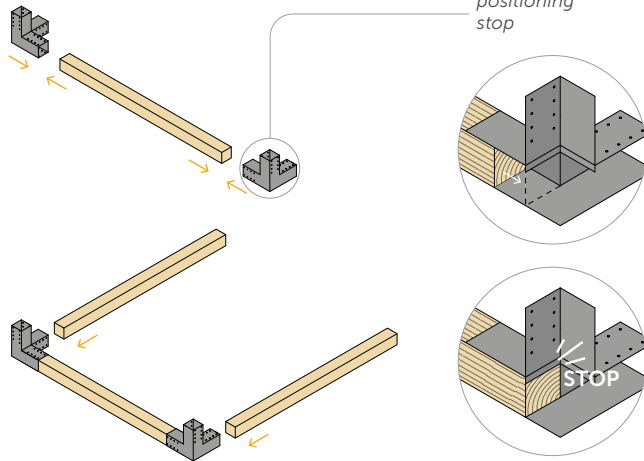
SINGLE PERGOLA WITH SUNSHADE



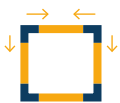
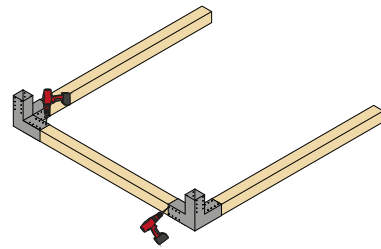
01
Place the top part of the pergola in position



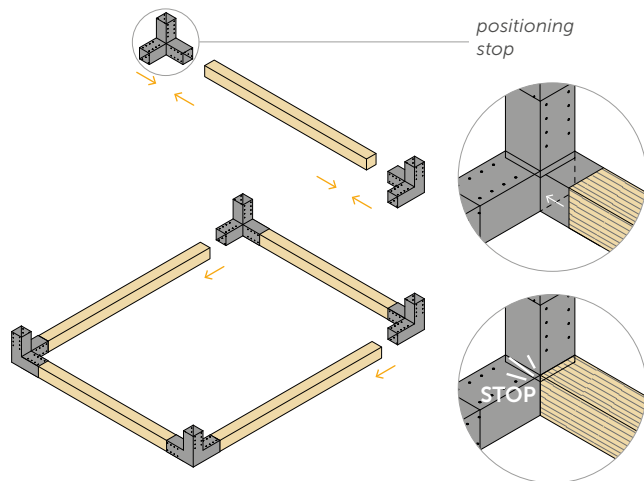
02a
First assemble three elements (to form a U).



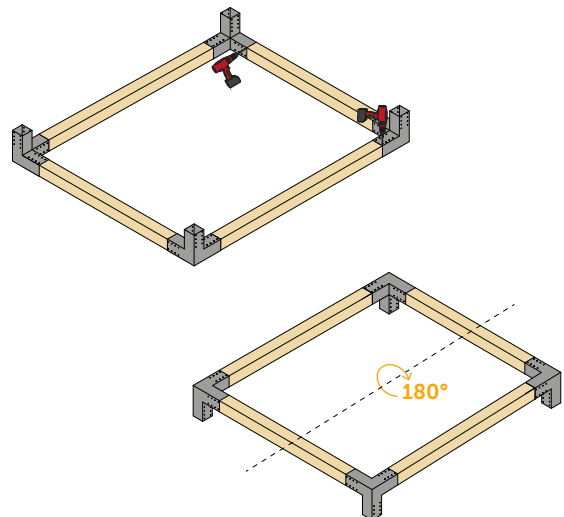
02b
Secure with a screwdriver



03a
Complete the top part of the pergola

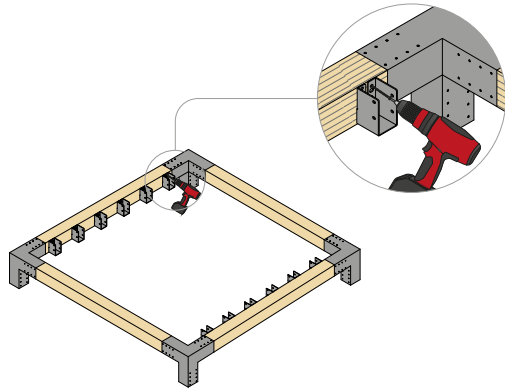


03b
Fastening and rotation of assembled part

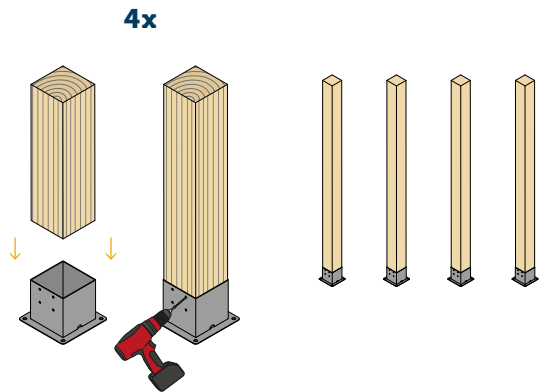




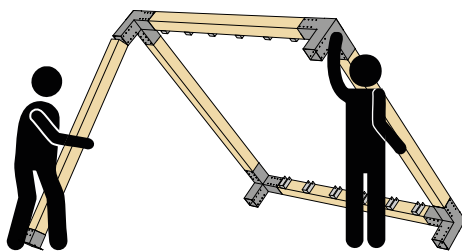
04
Fasten the shoes onto the beam



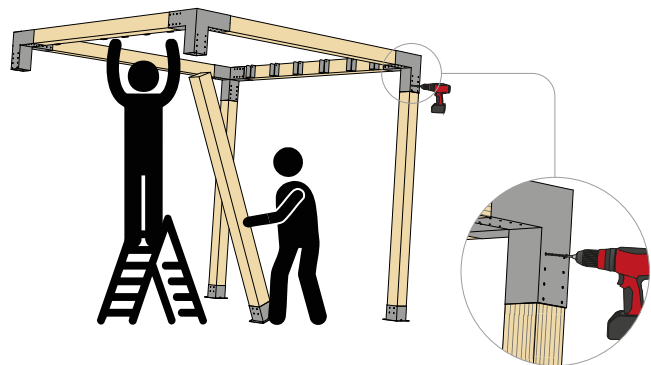
05
Assemble the post bases



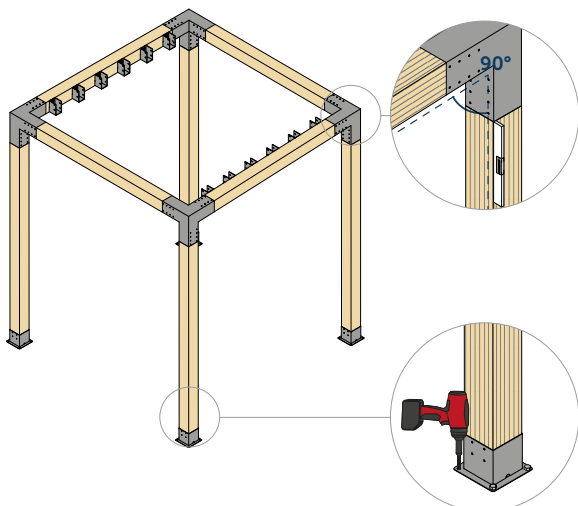
06
Insert the vertical elements complete with post bases



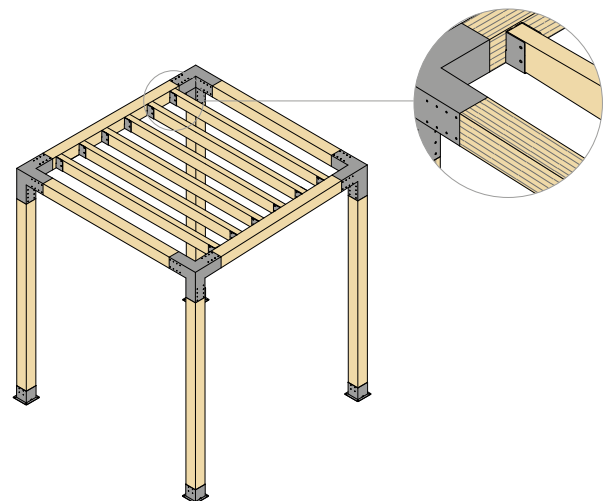
07
Complete the procedure by inserting and securing the remaining vertical elements



08
Check the verticality of the vertical elements and perpendicularity of the assembled structure. Then secure the post bases to the ground

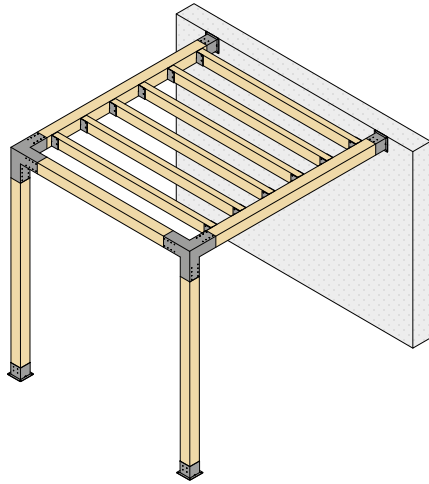


09
Complete the assembly of the structure by securing the rafters.

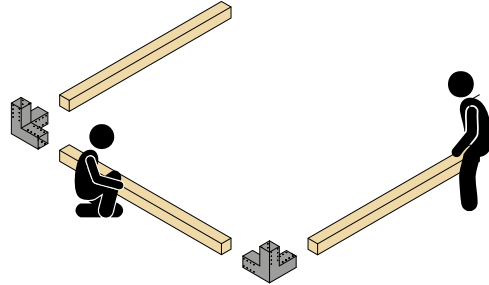


ASSEMBLY

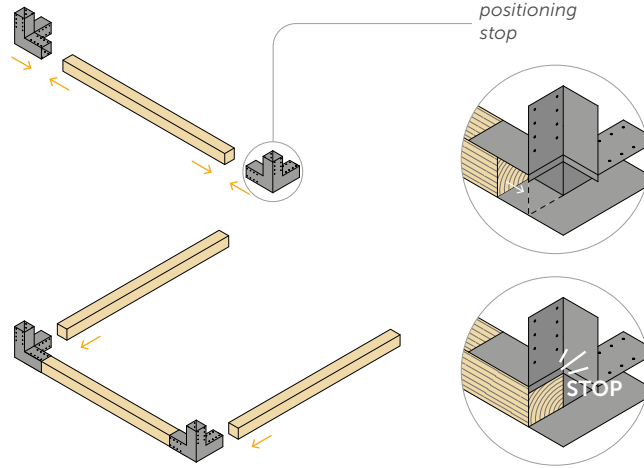
SINGLE WALL-MOUNTED PERGOLA WITH SUNSHADE



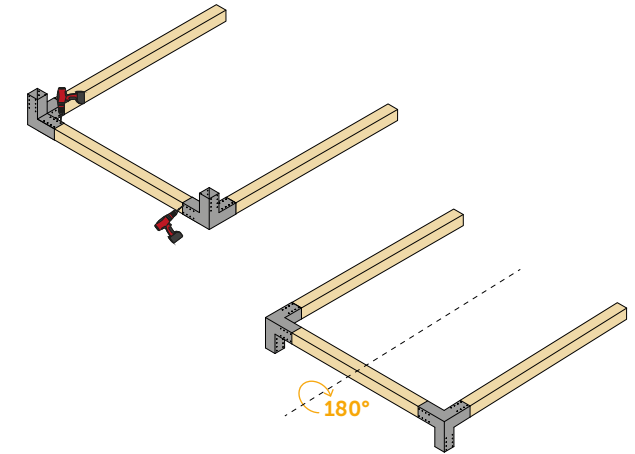
01
 Place the top part of the pergola in position



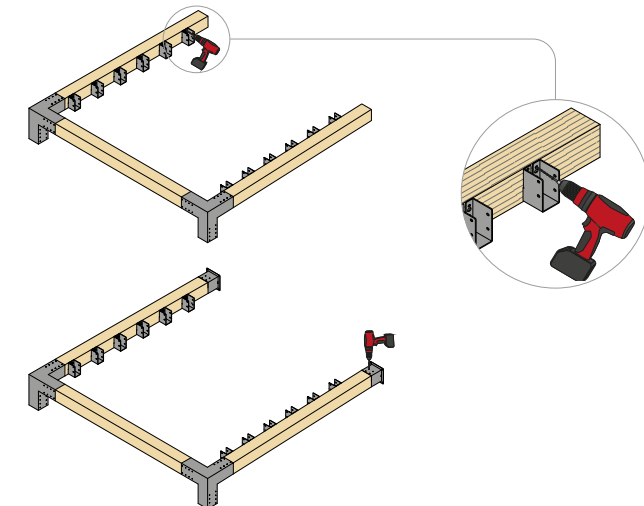
02a
 First assemble three elements (to form a U).



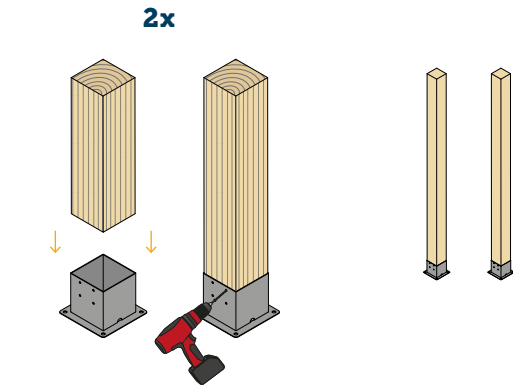
02b
 Secure with a screwdriver



03
 Assemble the shoes and post bases on the beams as indicated

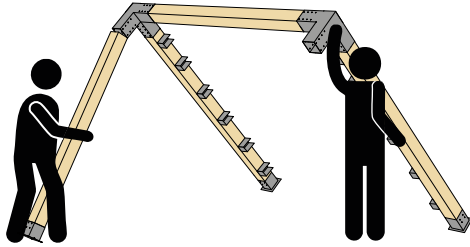


04
 Assemble the two post bases at the ends

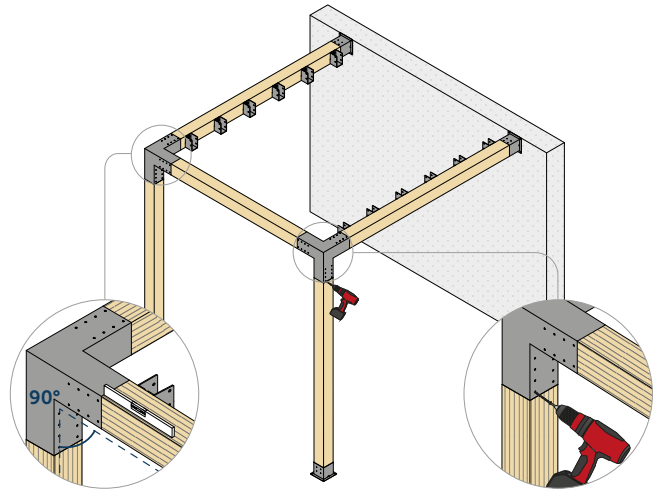




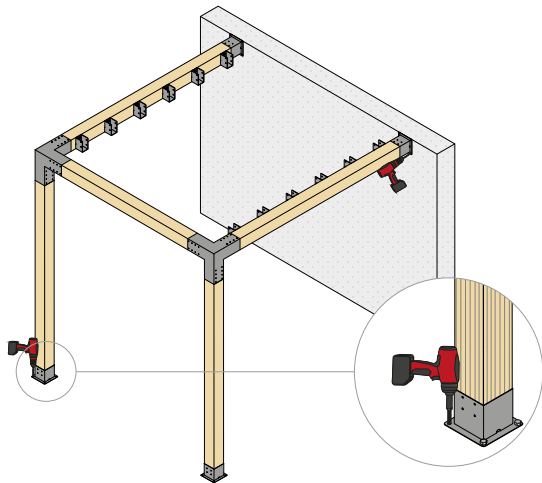
05 Insert the columns complete with post bases into the previously assembled top part



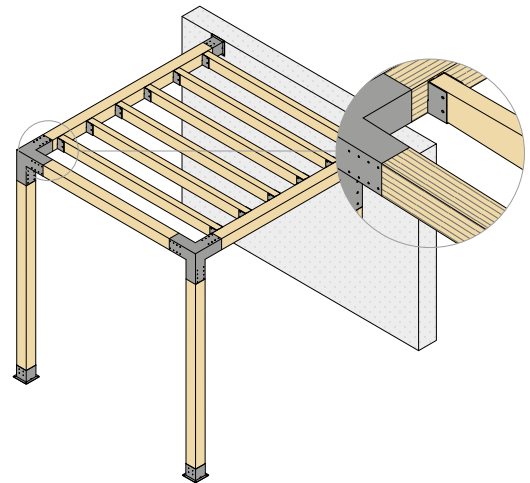
06 Fix the vertical elements, then bring the structure up to the wall and secure it, taking care to check the verticality and perpendicularity of the elements.



07 Secure the post bases to the wall and to the ground

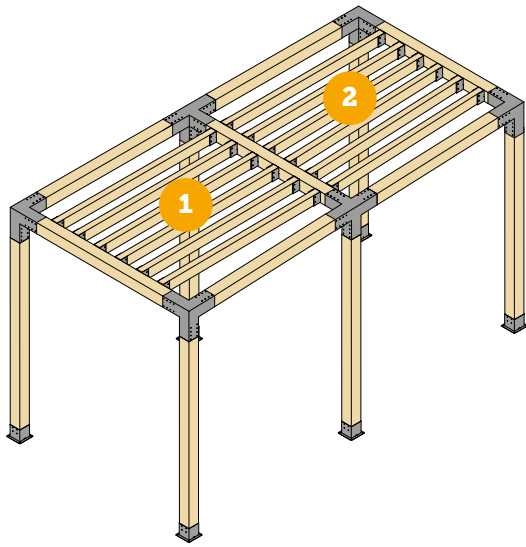


08 Complete the assembly of the structure by securing the rafters.

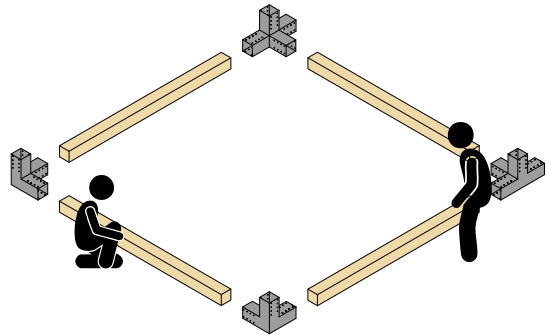


ASSEMBLY

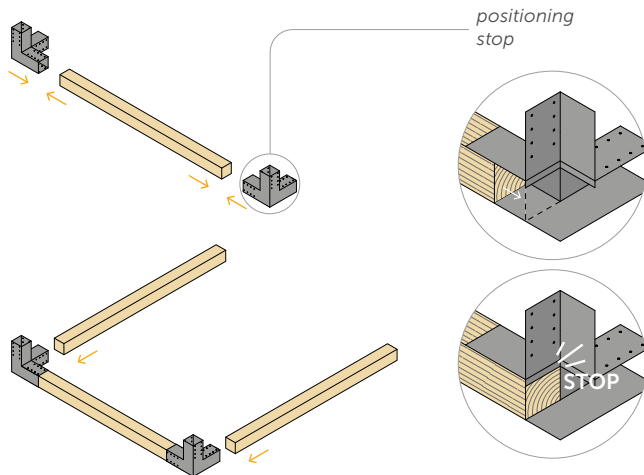
DOUBLE PERGOLA WITH SUNSHADE



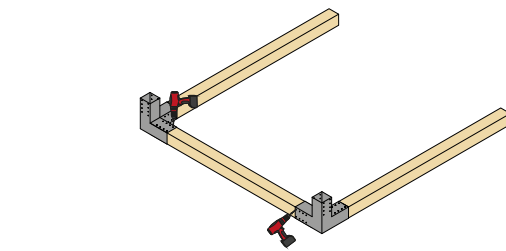
01
Place part **1** of the pergola in position



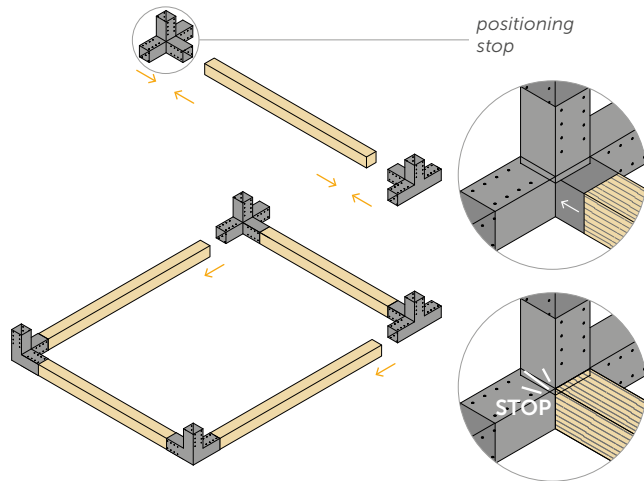
02a
First assemble the three elements (to form a U).



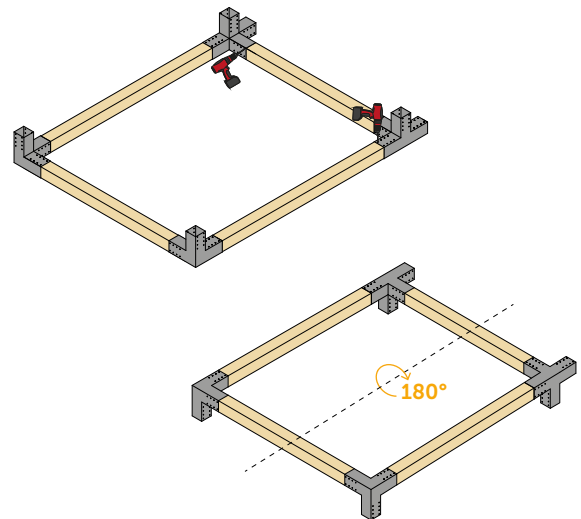
02b
Secure with a screwdriver



03a
Complete part **1** as illustrated

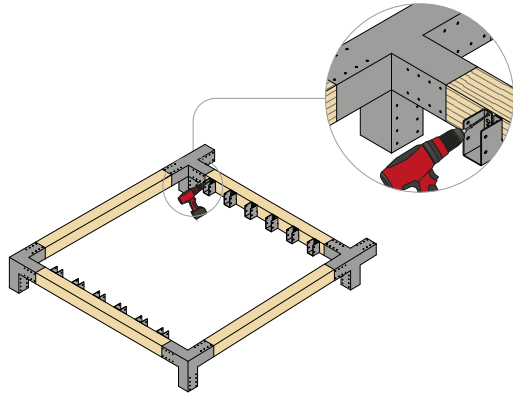


03b
Fasten and rotate the assembled part by 180°

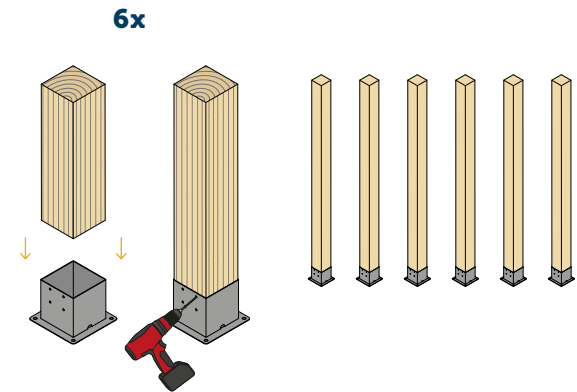




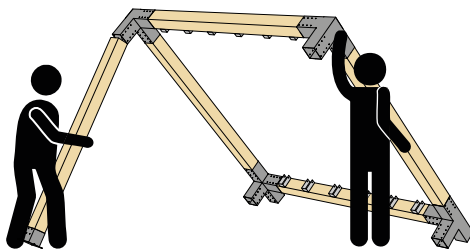
03c
Fasten the shoes onto the beams



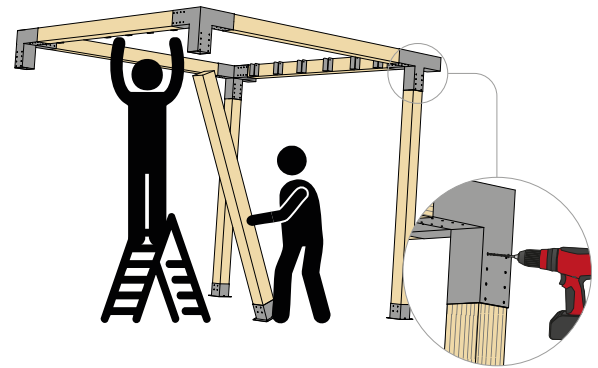
04
Assemble the post bases



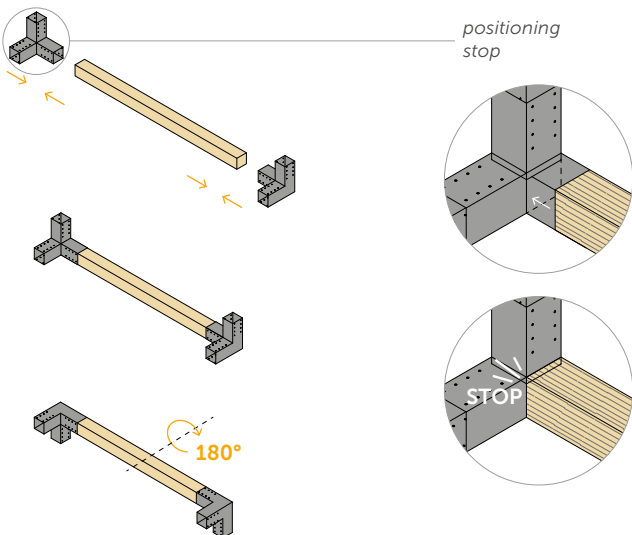
05
Insert the columns complete with post bases into the previously assembled top part



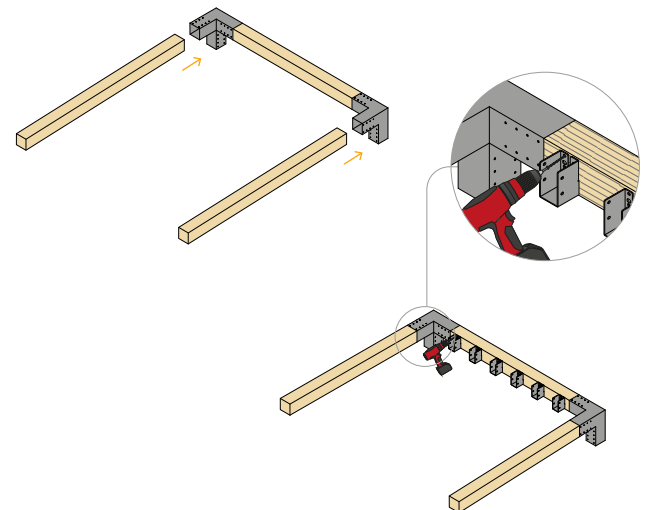
06
Complete the procedure with the remaining two columns



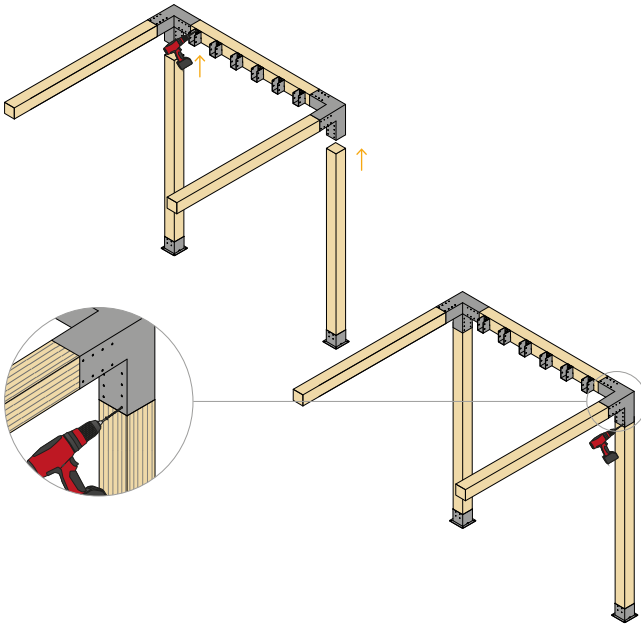
07
Assemble part 2



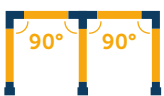
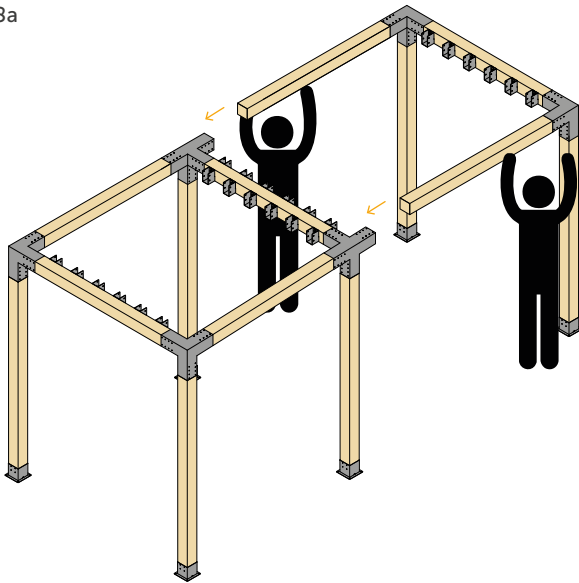
07a
Assemble part 2



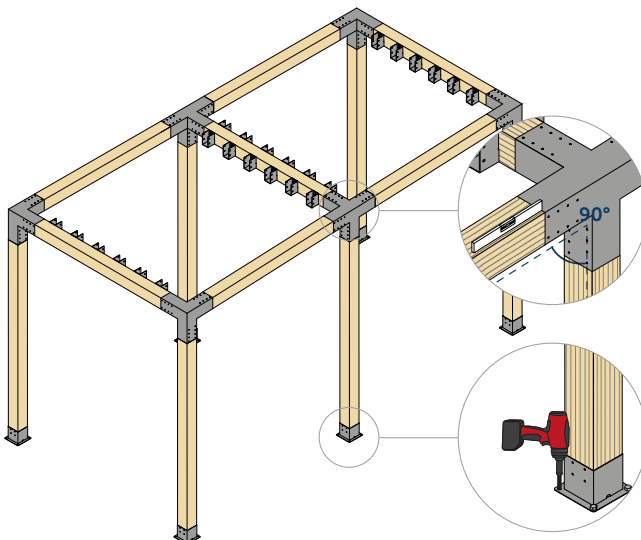
07b Assemble part 2



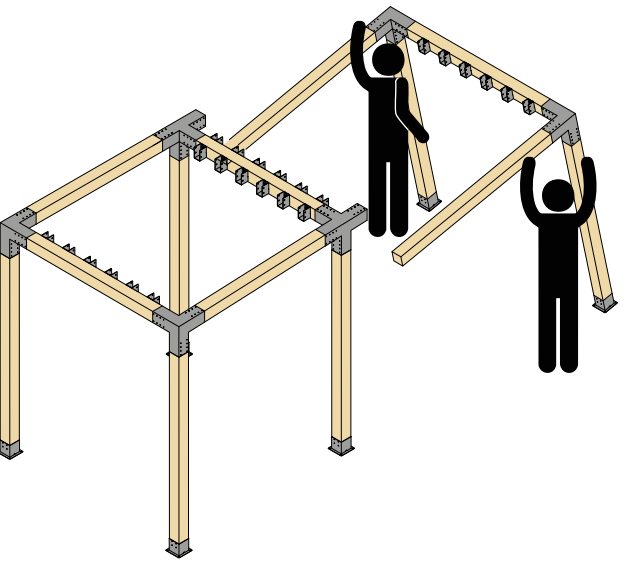
08a



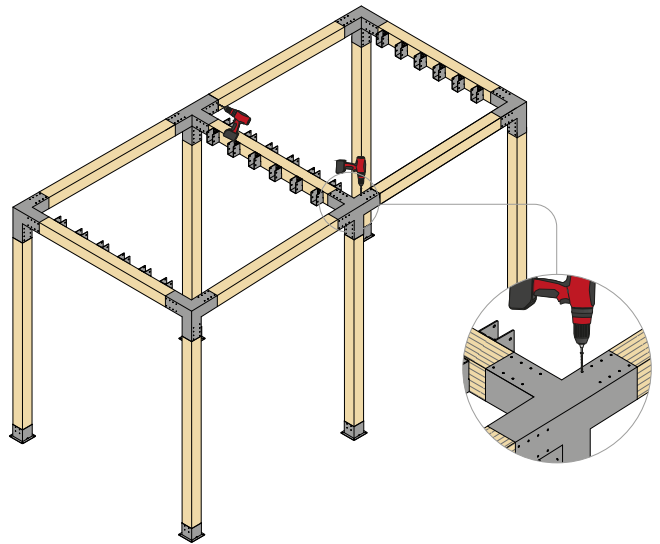
09 Check the verticality of the columns and perpendicularity of the assembled structure. Then secure the post bases to the ground



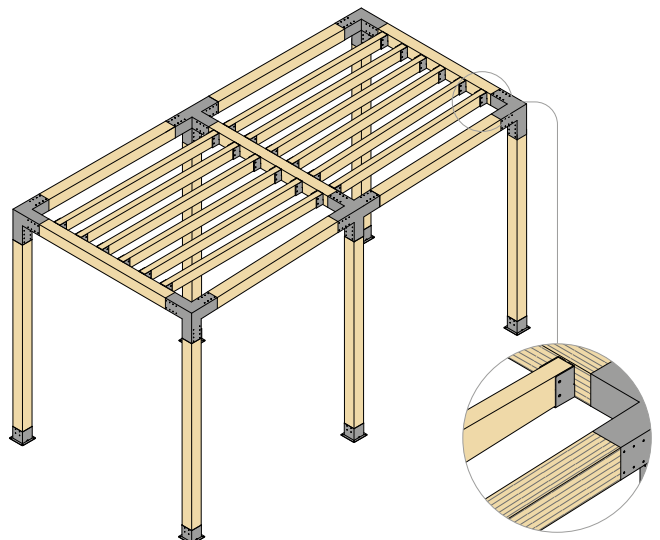
08 Join part 1 and part 2 and fasten



08b

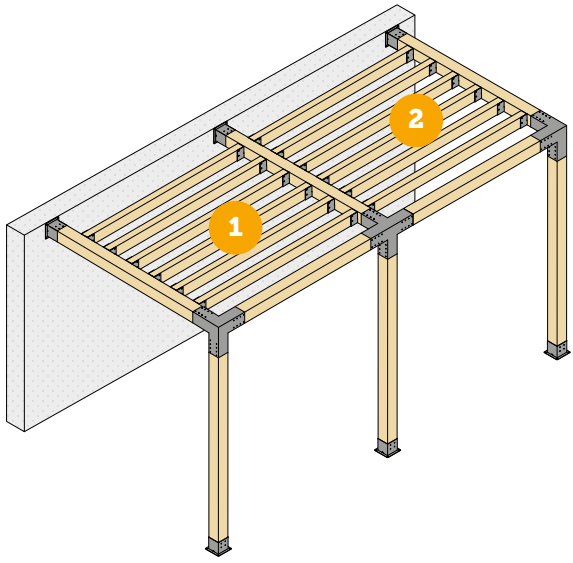


10 Assemble the rafters on the shoes using a screwdriver

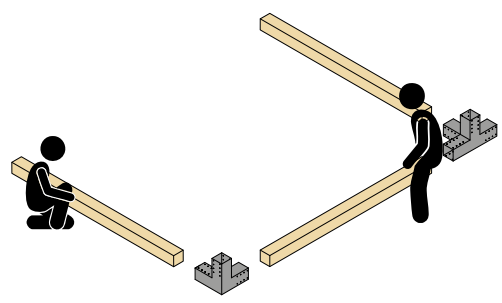


ASSEMBLY

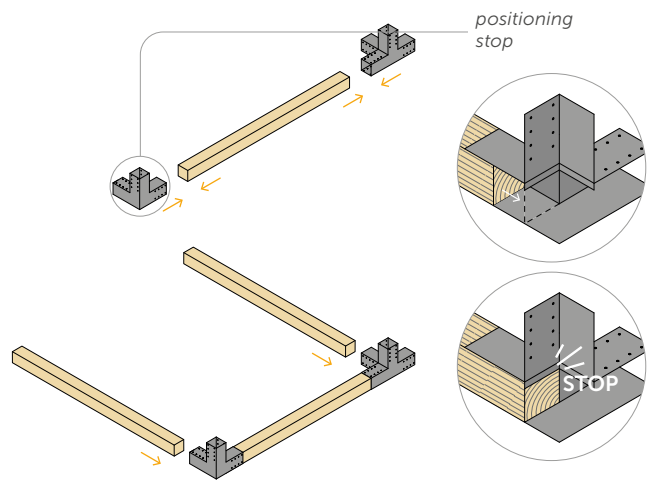
DOUBLE WALL-MOUNTED PERGOLA WITH SUNSHADE



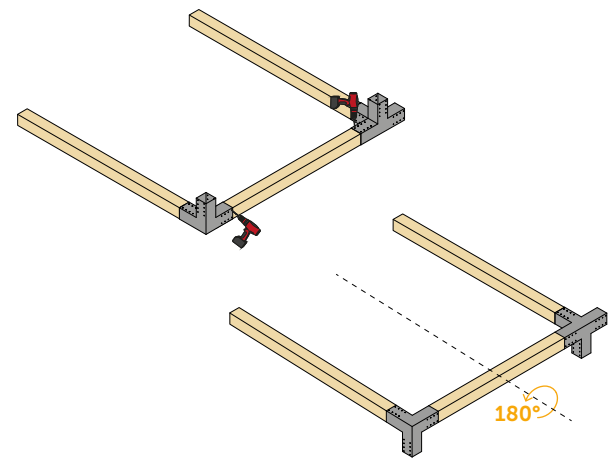
01 Place part **1** of the pergola in position



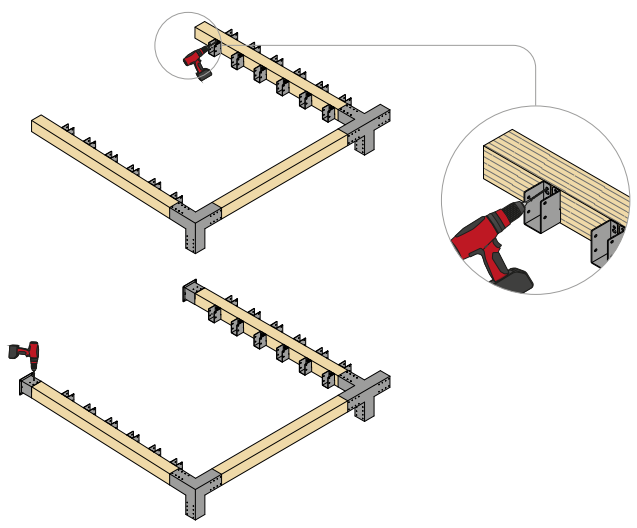
02a First assemble the three elements (to form a U).



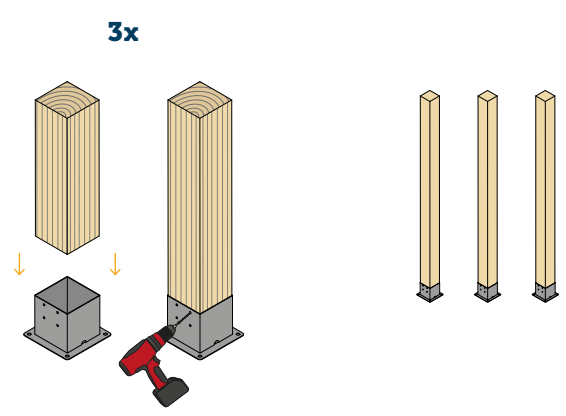
02b Secure with a screwdriver



03 Complete part **1** as illustrated



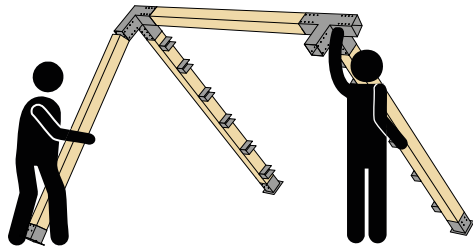
04 Assemble the three post bases at the ends





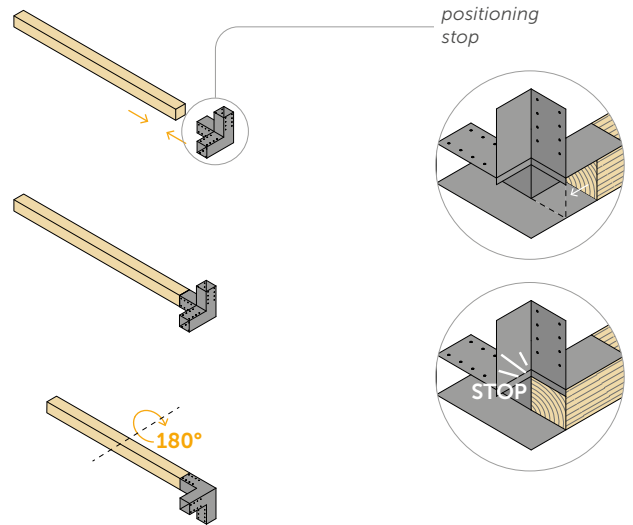
05

Place part **1** of the pergola in position



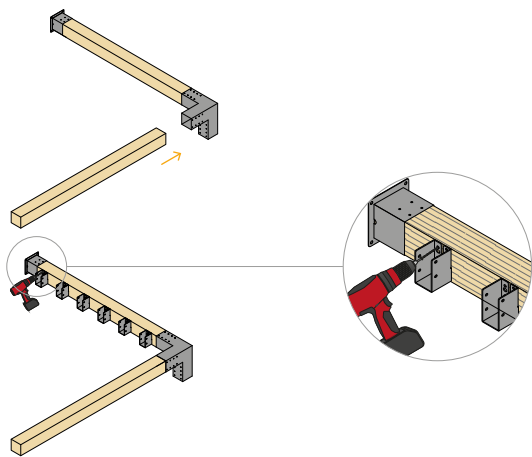
06

Assemble part **2**



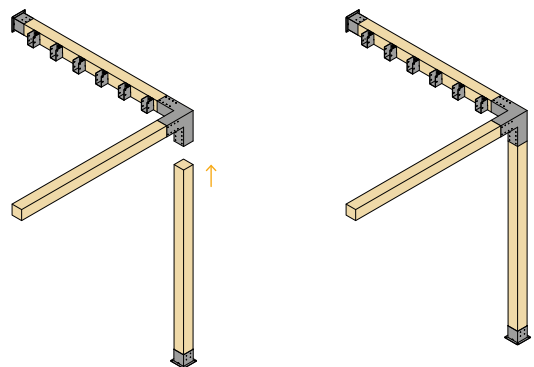
07

First assemble the three elements (to form a U).



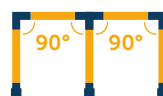
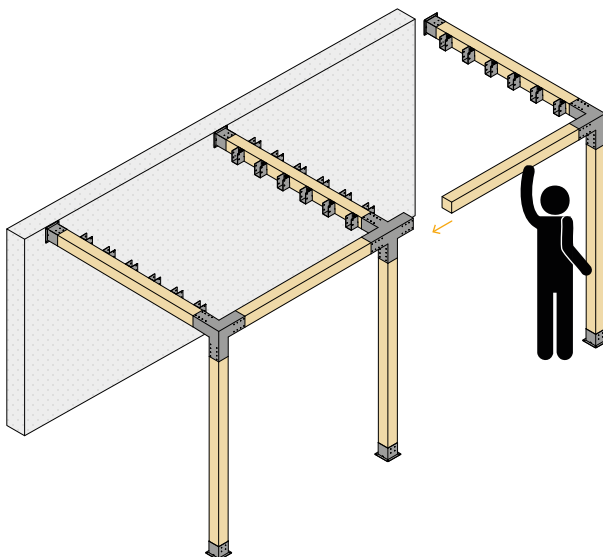
08

Secure with a screwdriver



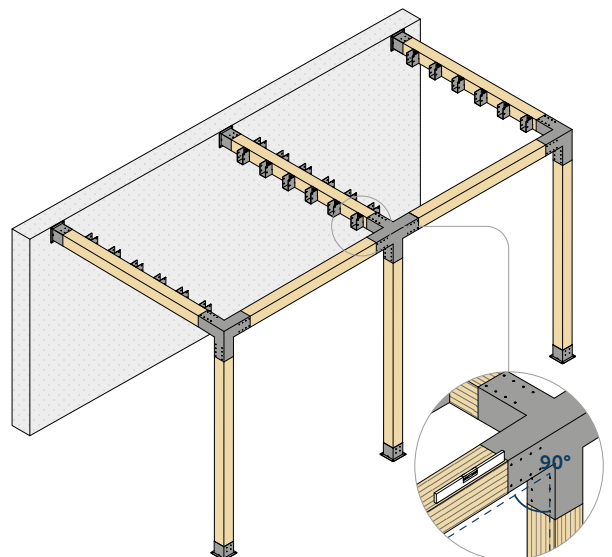
09

Temporarily secure part **1** of the structure to the wall, bring part **2** closer, then fasten them together



10

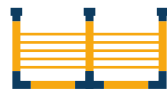
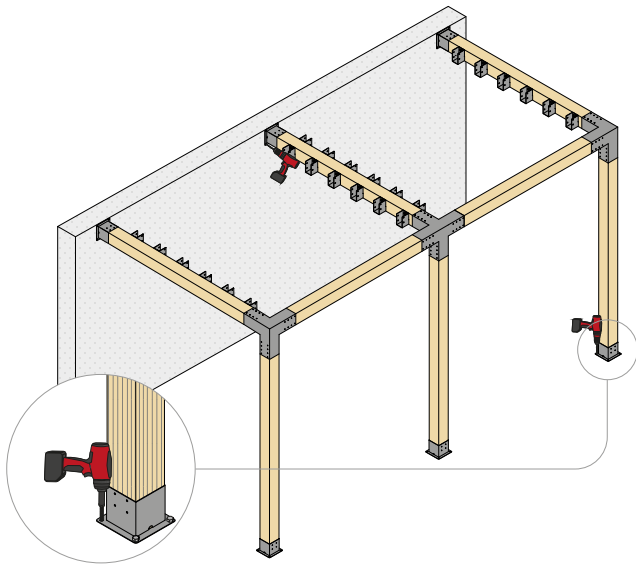
Assemble the rafters on the shoes using a screwdriver





09

Secure the post bases to the wall and to the ground



10

Assemble the rafters on the shoes using a screwdriver

