

SUPPORT

ADJUSTABLE SUPPORT FOR TERRACES

THREE VERSIONS

The Small version (SUP-S) can be raised by up to 37 mm, the Medium version (SUP-M) by up to 220 mm and the Large version (SUP-L) by up to 1020 mm. All versions are height adjustable.

RESISTANT

Sturdy system suitable for heavy loads. The Small (SUP-S) and Medium (SUP-M) versions can handle up to 400 kg. The Large version (SUP-L) can handle up to 800 kg.

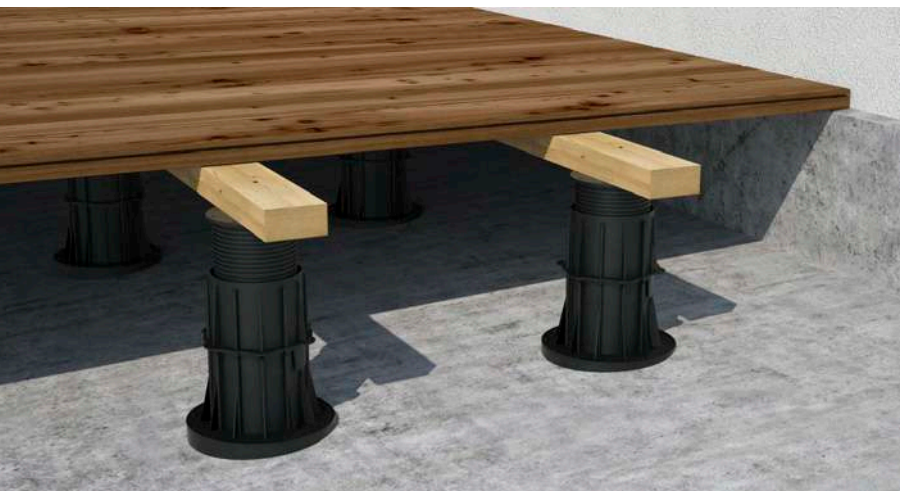
COMBINABLE

All versions can be combined with a special head to facilitate lateral fastening to the joist, which may be made of either timber or aluminium. A tile adapter is also available on request.



CHARACTERISTICS

FOCUS	extreme versatility in levelling
HEIGHT	from 22 to 1020 mm
LOWER BASE	SUP-S Ø150 mm SUP-M and SUP-L Ø200 mm
STRENGTH	from 400 to 800 kg



MATERIAL

Polypropylene (PP).

FIELDS OF USE

Raising and levelling of the substructure. Outdoor use. Suitable for service classes 1, 2 and 3.



DURABILITY

UV-resistant and suitable also for aggressive environment conditions. Ideal for use in combination with ALU TERRACE.

ALU TERRACE

Ideal for use in combination with SUPPORT, fixed laterally with KKA screws. System with excellent durability.



Fastening wooden joists on SUP-M support with head.

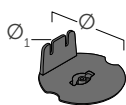


Patio made with ceramic tiles on SUP-M with special adapter (code SUPMHEAD4 available upon request).

ACCESSORY CODES AND DIMENSIONS

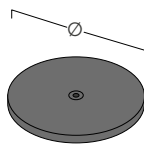
HEAD FOR SUP-S

CODE	Ø [mm]	Ø ₁ [mm]	pcs
SUPSLHEAD1	70	3 x 14	20



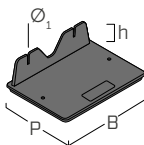
HEAD FOR SUP-M

CODE	Ø [mm]	pcs
SUPMHEAD1	120	25



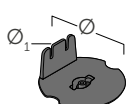
HEAD FOR SUP-M

CODE	B x P [mm]	H [mm]	Ø ₁ [mm]	pcs
SUPMHEAD2	120 x 90	30	3 x 14	25



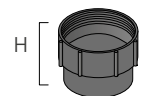
HEAD FOR SUP-L

CODE	Ø [mm]	Ø ₁ [mm]	pcs
SUPSLHEAD1	70	3 x 14	20



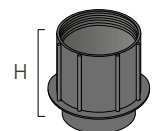
EXTENSION FOR SUP-M

CODE	H [mm]	pcs
SUPMEXT30	30	25



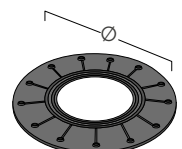
EXTENSION FOR SUP-L

CODE	H [mm]	pcs
SUPLEXT100	100	20

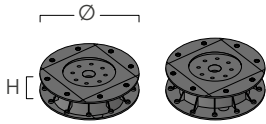


SLOPE ADAPTER FOR SUP-M AND SUP-L

CODE	Ø [mm]	∠	pcs
SUPCORRECT1	200	1%	20
SUPCORRECT2	200	2%	20
SUPCORRECT3	200	3%	20

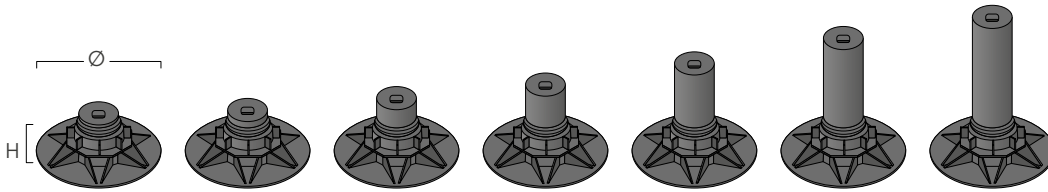


CODES AND DIMENSIONS - SUP-S



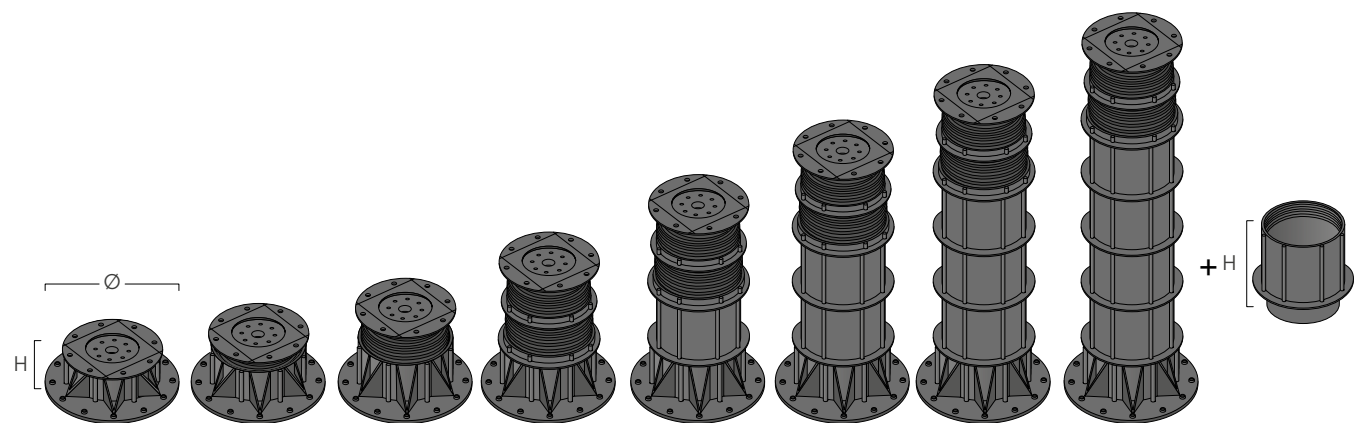
CODE	Ø [mm]	H [mm]	pcs
SUPS2230	150	22 - 30	20
SUPS2840	150	28 - 40	20

CODES AND DIMENSIONS - SUP-M



CODE	Ø [mm]	H [mm]	pcs
SUPM3550	200	35 - 50	25
SUPM5070	200	50 - 70	25
SUPM65100	200	65 - 100	25
SUPM95130	200	95 - 130	25
SUPM125160	200	125 - 160	25
SUPM155190	200	155 - 190	25
SUPM185220	200	185 - 220	25

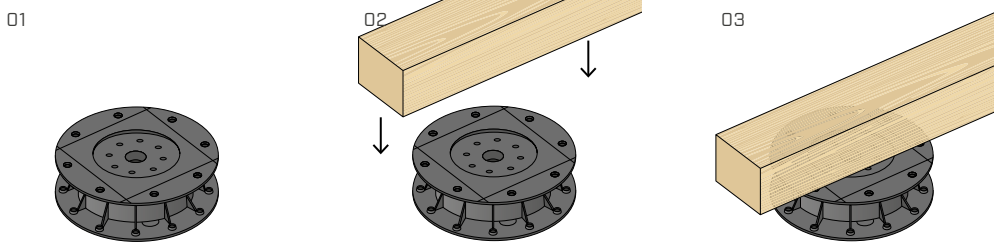
CODES AND DIMENSIONS - SUP-L



CODE	Ø [mm]	H [mm]	pcs
SUPL3550	200	35 - 50	20
SUPL5075	200	50 - 75	20
SUPL75120	200	75 - 120	20
SUPL115220	200	115 - 220	20
SUPL215320	200	215 - 320	20
SUPL315420	200	315 - 420	20

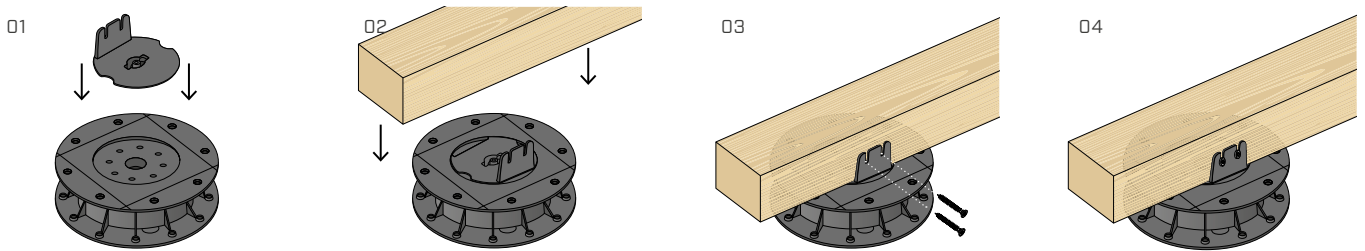
CODE	Ø [mm]	H [mm]	pcs
SUPL415520	200	415 - 520	20
SUPL515620	200	515 - 620	20
SUPL615720	200	615 - 720	20
SUPL715820	200	715 - 820	20
SUPL815920	200	815 - 920	20
SUPL9151020	200	915 - 1020	20

SUP-S INSTALLATION



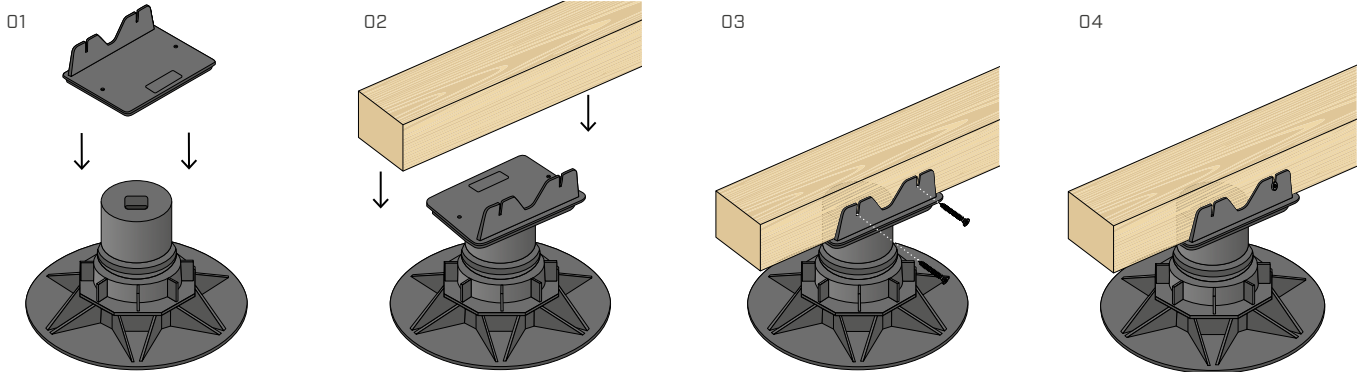
Simply set the joist on the SUP-S support or fix it with 4,5 mm diameter KKF screws.

INSTALLATION OF SUP-S WITH SUPSLHEAD1



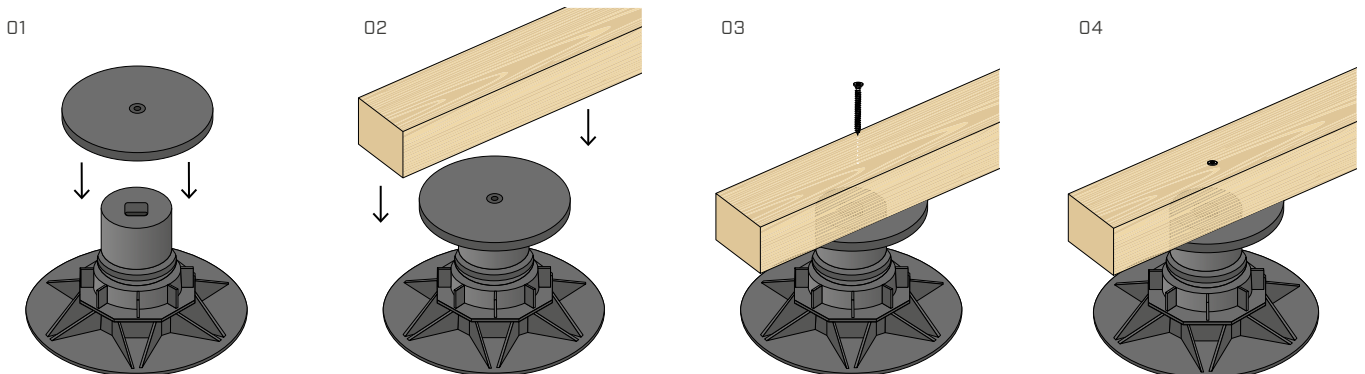
Place the head SUPSLHEAD1 on the SUP-S support and fix the batten with 4,5 mm diameter KKF screws.

INSTALLATION OF SUP-M WITH SUPMHEAD2



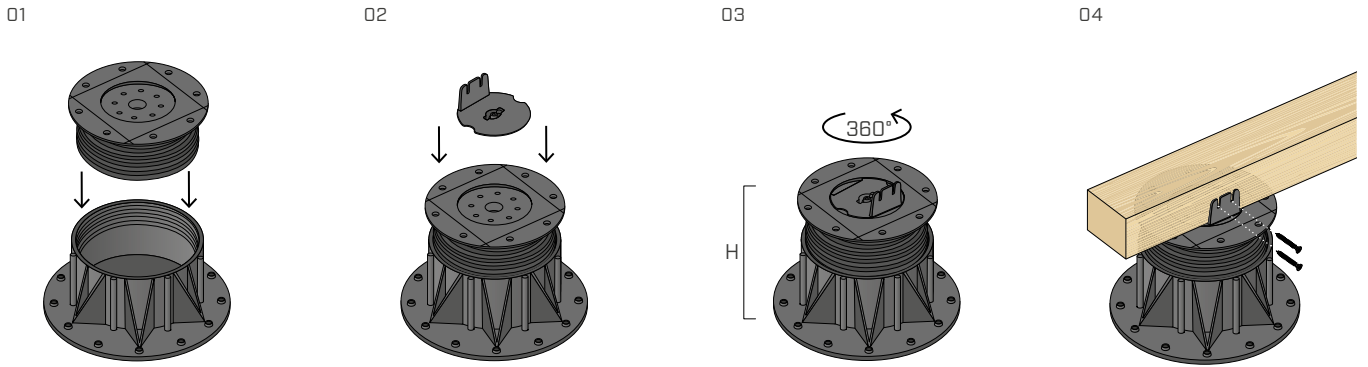
Place the head SUPMHEAD2 on the SUP-M support and fix the joist laterally with 4,5 mm diameter KKF screws.

INSTALLATION OF SUP-M WITH SUPMHEAD1



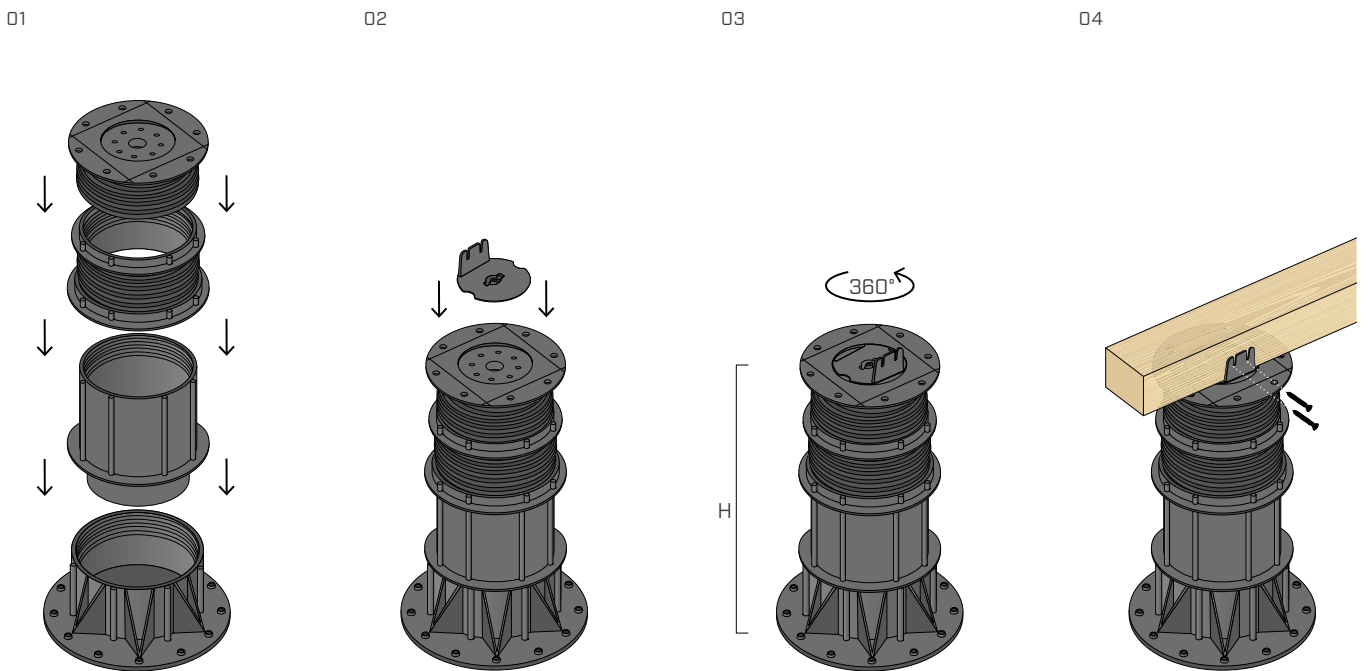
Place the head SUPMHEAD1 on the SUP-M and fix the batten with KKF 4,5 mm diameter screws.

INSTALLATION OF SUP-L WITH SUPSLHEAD1



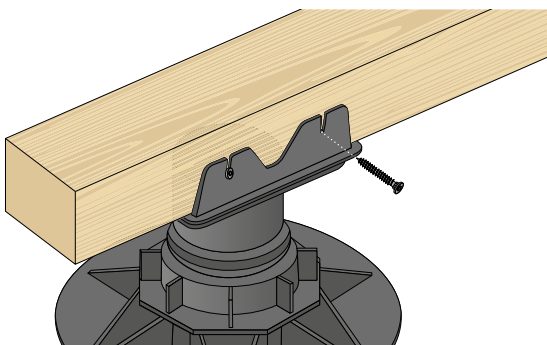
Place the head SUPSLHEAD1 on the SUP-L support, adjust the height of the base as needed and fix the batten laterally with 4,5 mm diameter KKF screws.

INSTALLATION OF SUP-L WITH SUPSLHEAD1



Add the SUPLEXT100 extension to the SUP-L support and then position the SUPSLHEAD1 head. Adjust the height of the base as needed and fix the batten laterally with 4,5 mm diameter KKF screws.

CODES AND DIMENSIONS - FASTENING



KKF AISI410

d_1 [mm]	CODE	L [mm]	pcs
4,5 TX 20	KKF4520	20	200
	KKF4540	40	200
	KKF4545	45	200
	KKF4550	50	200
	KKF4560	60	200
	KKF4570	70	200